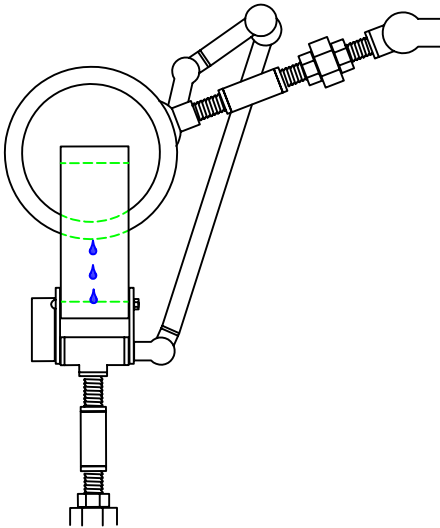
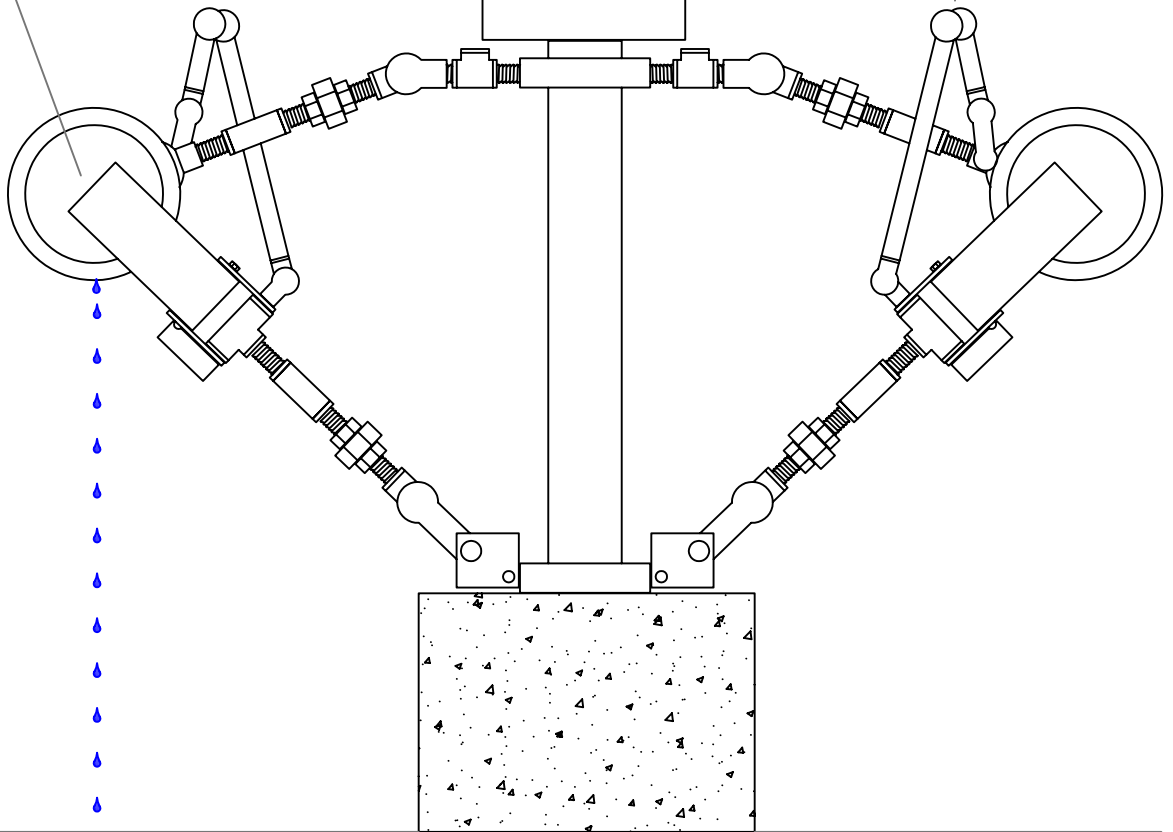


DO NOT MOUNT RINGS VERTICALLY



RINGS MOUNTED SO THAT DRIP
LINE FROM SECONDARY
TRANSFORMER RING DOES NOT
FALL ON PRIMARY RING

ARC GAP MUST BE POSITIONED
SO THAT ARC PATH IS
HORIZONTAL
(SELF-EXTINGUISHING)



HATFIELD & DAWSON
CONSULTING ENGINEERS

DRAWING SHOWING
TYPICAL AUSTIN RING TRANSFORMER INSTALLATION
FOR HIGH POWER LONG WAVE / MEDIUM WAVE STATIONS